

# S.W.A.T. LOCK - R PRO S

## INSTRUCTIONS

Art. Nr. 8001102

**Requires TWO 9V Alkaline Batteries (Recommended)**

The SWAT LOCK-R can effectively prevent potential car theft. It is equipped with four theft-deterrent features: warning LED, flashing strobe light, 120 dB ear-piercing siren and hard steel lock. The alarm is built with thick ABS plastic and has a hard steel frame inside. This immobilizes the car while the SWAT LOCK-R is armed and locked onto the steering wheel. The strobe light flashes along with the siren when triggered, so a theft in progress can be seen in a dark environment.

### A) Check Contents Carefully

1. SWAT LOCK-R unit
2. One IR remote unit
3. One warning sticker
4. Three keys
5. Instruction manual

**Additional Remote  
Sold Separately:  
Art. Nr. 8002000**

**IF YOU NEED  
ADDITIONAL  
REMOTES  
See Your Retailer**



### B) Setting up SWAT LOCK-R and IR remote units

1. Unscrew and remove two screws holding battery cover in place on backside of plastic case on alarm unit. Remove battery cover and install two 9V batteries (not included) as indicated on alarm unit. Use two 9v alkaline batteries (recommended). Select your own security codes by setting the 6-digit switch. (See Fig. 1) Replace battery cover onto alarm unit and tighten both screws back into place.
2. Unscrew to open the back case of IR remote unit. Set the same security codes as the alarm unit. Repeat the same procedure to set extra IR remote.

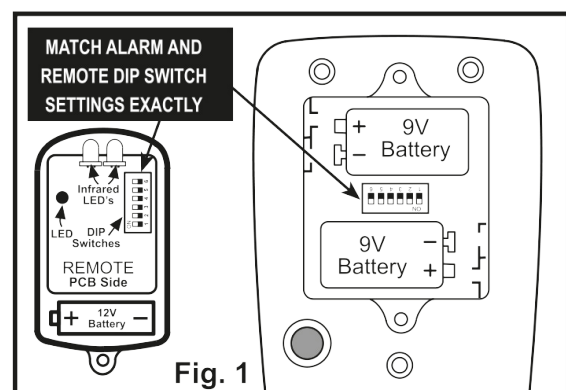
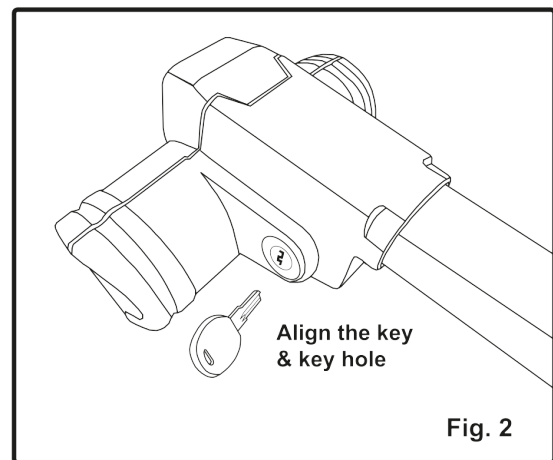
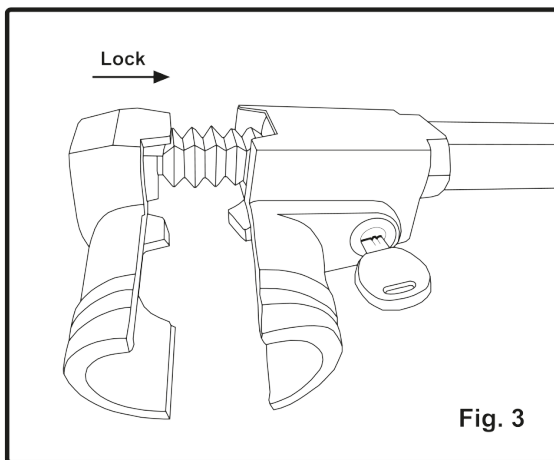


Fig. 1

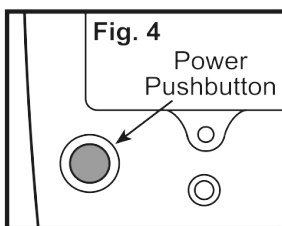
(1)

### C) Set-up SWAT Lock-R on steering wheel

1. To unlock SWAT LOCK-R unit, align the key to insert it into keyhole and turn clockwise. (See Fig. 2)
2. Open the lock and put the unit on the steering wheel. (See Fig. 3)
3. Push and turn the key counter-clockwise to lock the SWAT LOCK-R on the steering wheel.

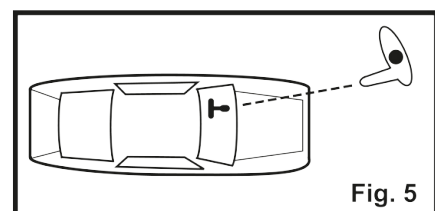


### D) Arming/Disarming SWAT LOCK-R unit



1. Locate the power pushbutton on underside of alarm unit, and press once (See Fig. 4). This will activate the power for alarm, but not arm it. This provides 60 seconds to lock alarm unit by turning key counterclockwise, removing key and exiting car.

2. Point the IR remote at the front of alarm unit. Press button once on IR remote to arm



alarm unit. Remote must be within view of alarm unit for infrared receiver of alarm unit to detect remote's signal (See Fig. 5). The strobe light should flash once, and the LED should begin flashing intermittently. If alarm unit is not armed within 60 seconds of pressing power pushbutton on backside, then the power of alarm unit will be deactivated. You need to press the power pushbutton again to reactivate the power.

3. If vehicle is disturbed by window tapping/breakage, door closing, or any other significant jolt or bump, strobe light will flash and alarm will sound with an ear-piercing 120-dB siren for a 30-second cycle. If no further disturbance occurs, alarm will reset and stay armed. If disturbance continues, alarm will reactivate and continue for another 30-second cycle until disturbance ends or alarm unit is disarmed.
4. To disarm alarm unit, point IR remote unit at alarm unit and press button once. The strobe light should flash twice, and LED should stop flashing. To disarm alarm unit while siren is sounding, press IR remote button once to turn off siren and to disarm alarm unit with two flashes.
5. Low battery: Beeps once every 5 seconds. It is time to change both 9v batteries. When the remote LED is dim and the control distance is short, it is time to change 12v Alkaline (Type 23A).
6. The SWAT LOCK-R is now ready for use.

## **E) Test the SWAT LOCK-R unit**

1. Press the power pushbutton once.
2. Install the SWAT LOCK-R unit on the steering wheel.
3. Get out of the car and arm the alarm by pressing the pushbutton of IR remote once.
4. The strobe light flashes once, then the warning LED flashes intermittently.
5. Knocking the windshield/windows and closing the car door will cause the SWAT LOCK-R to go off for a 30-second siren cycle with strobe light flashing. It rearms automatically if no more shock/vibration is detected.
6. Press pushbutton on IR remote once to shut off the siren and to disarm the SWAT LOCK-R; the strobe light will flash twice as confirmation.

## **F) Warranty**

SWAT LOCK-R is guaranteed from defects in materials and workmanship in normal use for a period of one year from date of purchase. Guarantee is valid as long as alarm has not been altered or modified or a repair attempted.

**CAUTION: S.W.A.T. LOCK - R ALARM is effective because it is EXTREMELY LOUD. Prolonged exposure can cause ear damage. Do not activate alarm unnecessarily. Neither the manufacturer nor the retailer accepts any responsibility for personal injury.**



**BETEC BERND EITEL  
HERZOGSTR. 55  
63263 NEU-ISENBURG  
WWW.BETEC-IDEEN.DE**

Made in China